

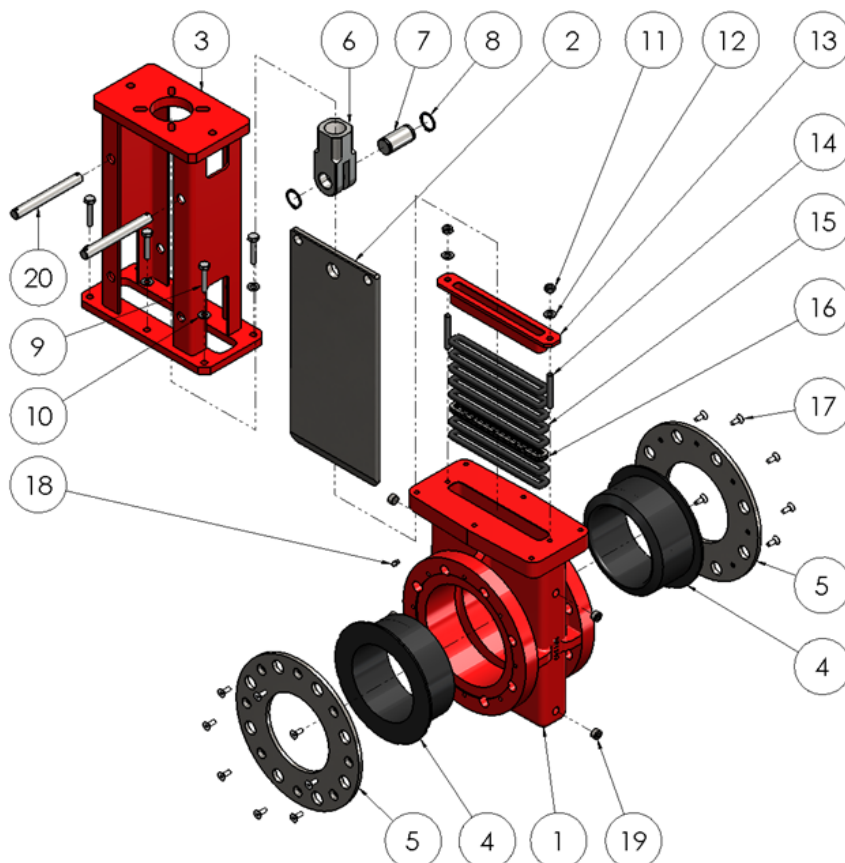


SKH Slurry Knife Gate Valves, up to 20 bar, DN80-300

Exploded view of SKH valve DN80-300*

Part	Qty	Description	Part	Qty	Description
1	1	Valve body	11	2	Gland retainer nut
2	1	Gate	12	2	Gland retainer washer
3	1	Tower	13	1	Gland retainer
4	2	Ring sleeve (recommended spare part)	14	2	Gland retainer stud bolt
5	2	Ring sleeve retainer	15		Packing seal
6	1	Clevis	16		Grease spacer
7	1	Clevis pin	17		Socket head countersunk screw
8	2	Clevis pin retaining ring	18		Grease nipple
9		Tower mounting bolt	19		Flushing plug
10		Tower mounting washer	20	2	Locking pin

* Sizes DN300-600 on another datasheet



TECHNICAL DATA

Valve Body

- Heavy duty single piece cast body
- Heavy duty tower
- Lubricated gland packing
- Flushing ports

Actuators

- Handwheel with gearbox
- Pneumatic
- Pneumatic with pneumatic spring
- Hydraulic
- Electric

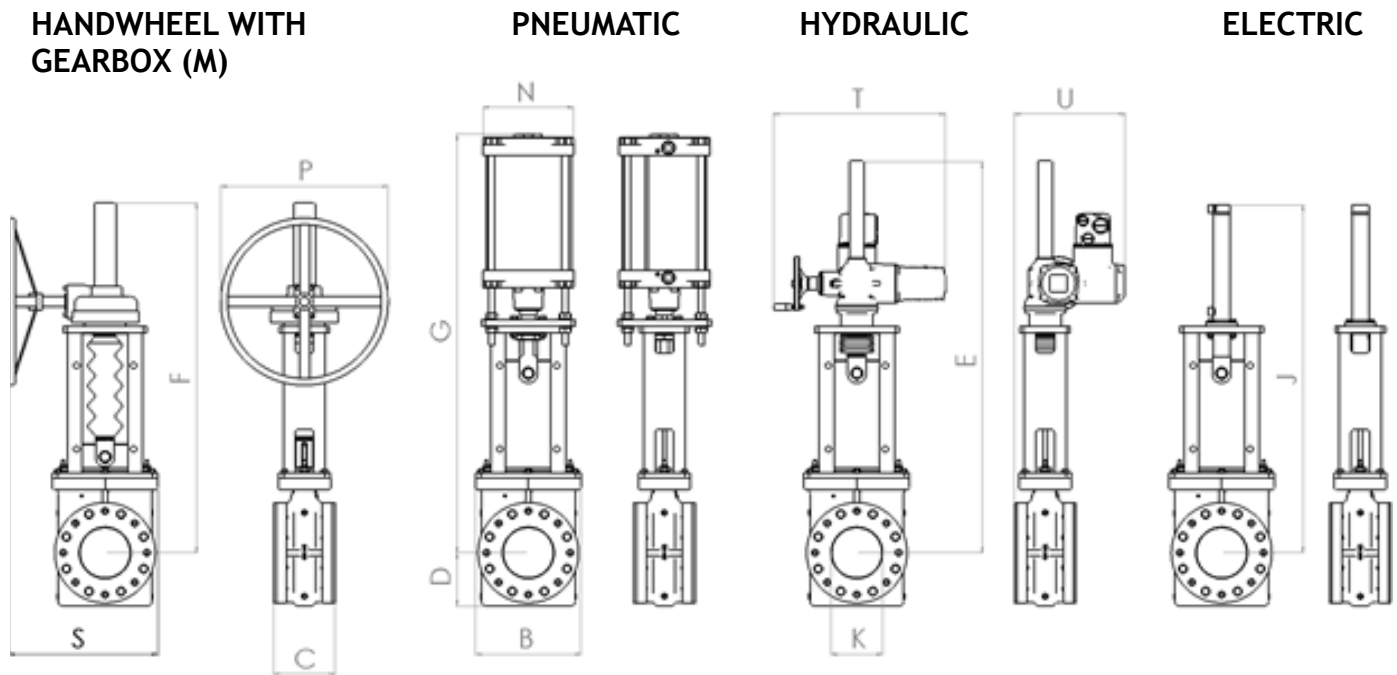
Accessories

- Limit switches
- Solenoid valves
- Guarding
- Flushing

Pressure: up to 20 bar
Sizes: DN80-300



Main dimensions of SKH valves



Valve size (DN)	B	C	D	E	F	G	J	K	N	P	S	T	U	Weight (kg)			
				E	MG	A	H		A	MG		E		E	MG	A	H
80	245	175	110	990	813	872	757	80	183	300	410	513	326	57	55	54	46
100	245	181	130	1051	875	1023	869	100	236	300	410	513	329	67	65	72	59
150	315	184	160	1173	1047	1252	1041	150	270	500	445	513	330	108	120	128	96
200	375	184	185	1335	1240	1450	1242	200	340	500	475	537	340	150	160	194	135
250	480	226	220	1475	1390	1656	1423	250	450	500	528	724	399	256	252	332	230
300	540	242	255	1642	1506	1592	1557	300	610	600	563	724	407	322	345	457	296

Dimensions and weight are for guidance only - detailed drawings are available on request.
All dimensions are in millimeters.



Flowrox Oy
P.O. Box 338
FI-53101 Lappeenranta, Finland
Tel. +358 201 113 311

www.flowrox.com
info@flowrox.com

