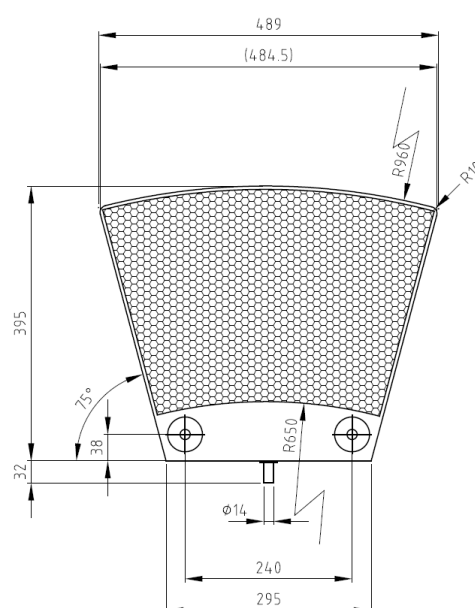
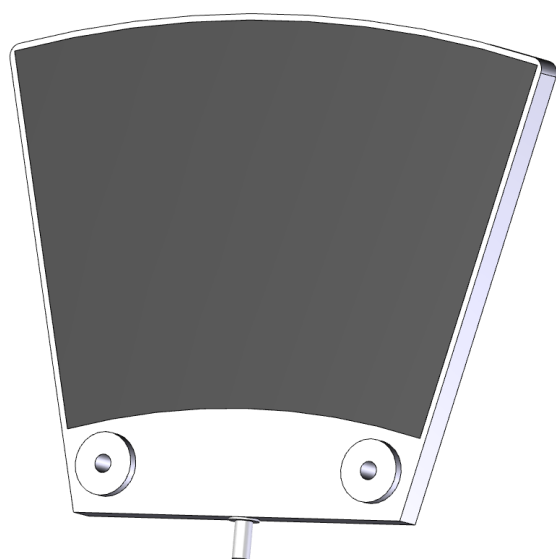




Flowrox Ceramic Disc Filter Element

Flowrox ceramic disc filter element covers 0,25 m² filtration area. It is suitable for units with 3 m² discs.



CD filter plate properties

Feature	Value	Unit
Material	aluminium oxide	
Color	white	
No. of plates per disc	12	-
Disc outer diameter	1920	mm
Plate weight	7,5	kg
Filtration area per plate	0,25	m ²
Water flux	6000-8000	l/(m ² h)
Porosity	42-48	%
Flexural strength	≥20	MPa
Filtrate connector diameter	14	mm
Plate thickness	24	mm

