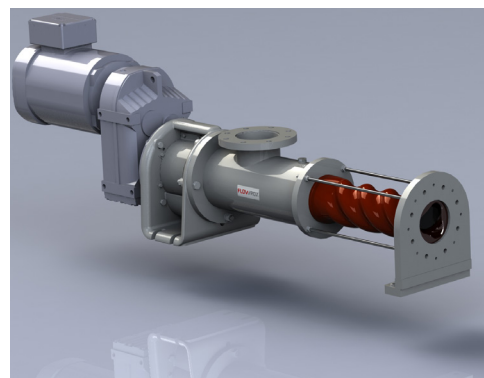
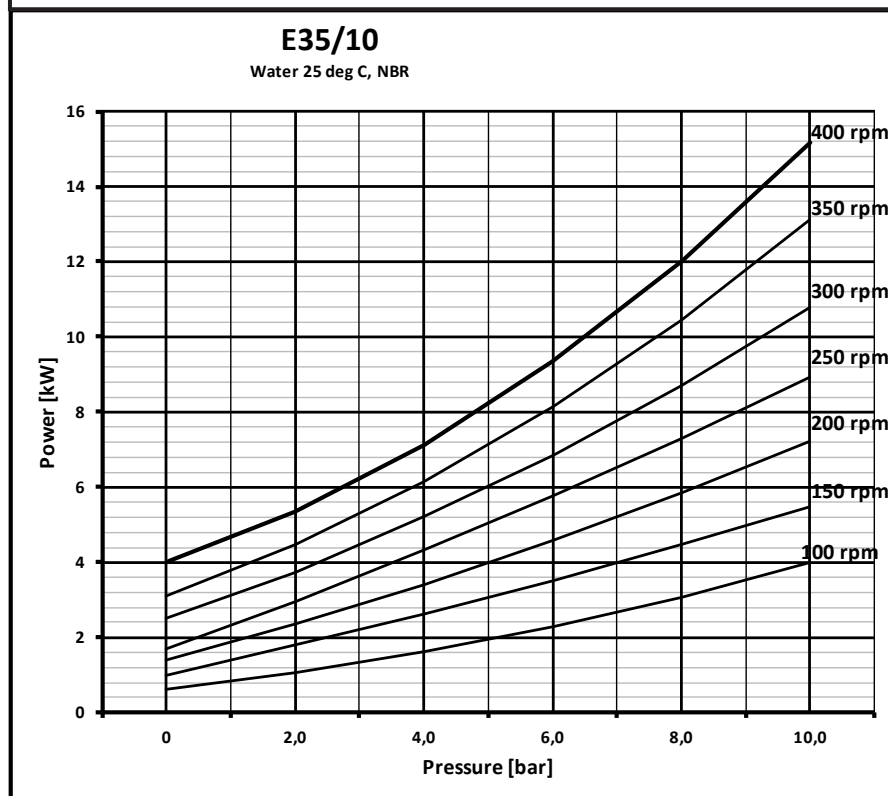
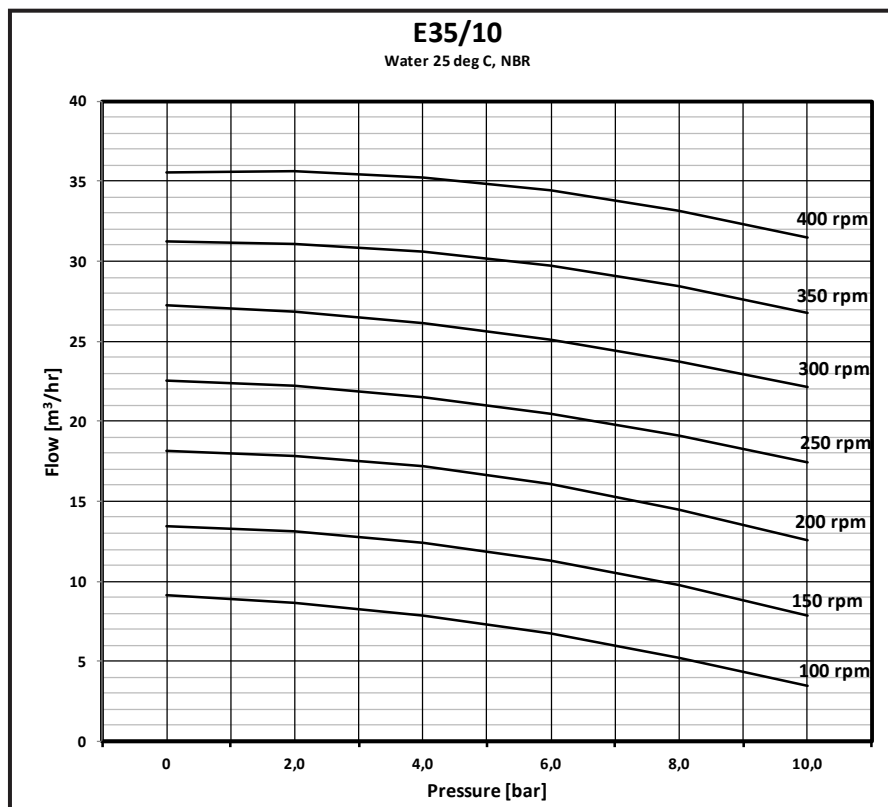




## PC Pump E35/10



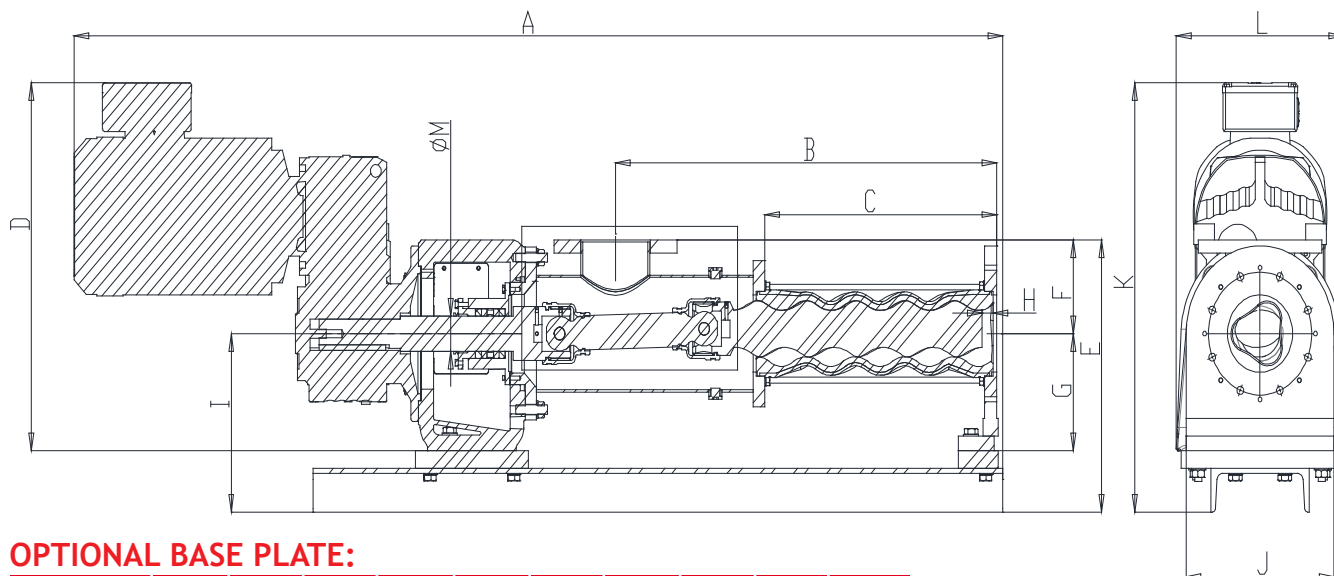
### TECHNICAL DATA

- Evenwall® stator
- Maximum flow: 35,6 m<sup>3</sup>/h
- Nominal flow: 26,6 m<sup>3</sup>/h
- Maximum pressure: 10 bar
- Temperature up to 70 °C
- Weight: 350 kg
- Max motor power: 11 kW
- Flange connection size: DN125
- Flange drilling: DIN PN10 or ANSI150
- Can be installed without base plate
- No dry running
- NPSH tba

## MAIN DIMENSIONS

Model	A	B	C	D	E	F	G	H	I	J	K	L	M	Weight (kg)
E35/10	1886	774	471	629	465	160	200	21,6	305	300	734	340	60	353

Dimensions are in mm.



### OPTIONAL BASE PLATE:

Model	N	O	P	Q	R	S	T	U	V	W
E35/10	1400	40	277	90	968	645	530	200	100	250



## PRODUCT SPECIFICATION

Body	Suction Pipe	Rotor	Rotor coatings	Stator	Drive	Seal types
Cast iron	<ul style="list-style-type: none"> <li>Carbon steel</li> <li>Carbon steel with maintenance hatch</li> <li>Stainless steel with maintenance hatch</li> </ul>	<ul style="list-style-type: none"> <li>Carbon steel</li> <li>Stainless steel</li> </ul>	<ul style="list-style-type: none"> <li>Black nitrated</li> <li>Hard chromium</li> <li>Tungsten carbide</li> </ul>	<ul style="list-style-type: none"> <li>NBR</li> <li>EPDM</li> <li>Viton</li> </ul>	Gear motor drive	<ul style="list-style-type: none"> <li>Single Mechanical Shaft Seal</li> <li>Double Mechanical Shaft Seal</li> <li>Gland Packing</li> </ul>

Information without engagement. All rights to changes without prior notice reserved.



Flowrox Oy  
P.O. Box 338, FI-53101 Lappeenranta  
Finland  
Tel. +358 201 113 311

www.flowrox.com  
info@flowrox.com

