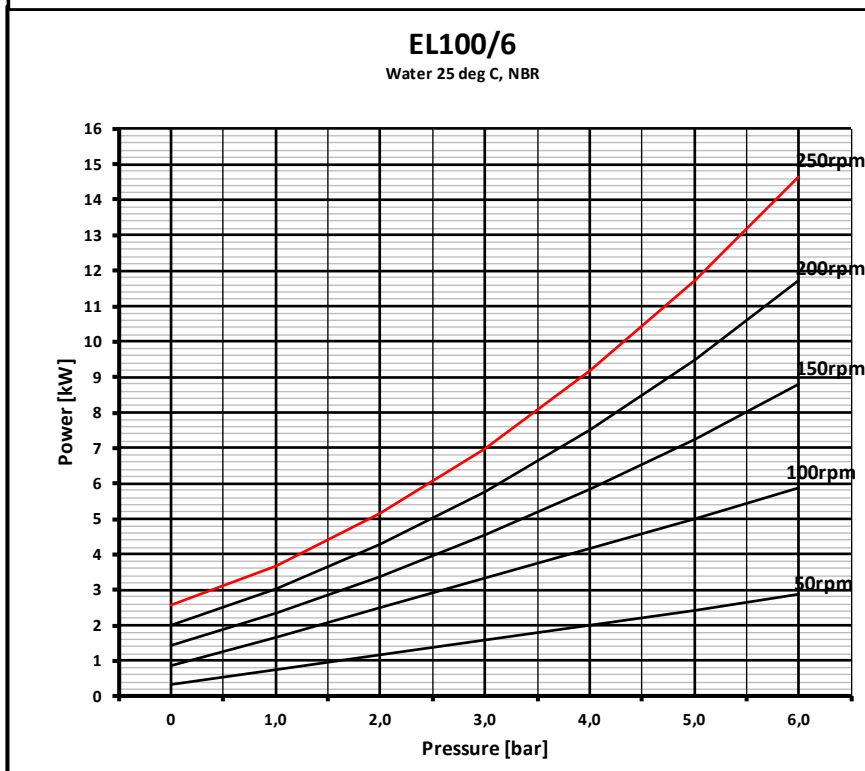
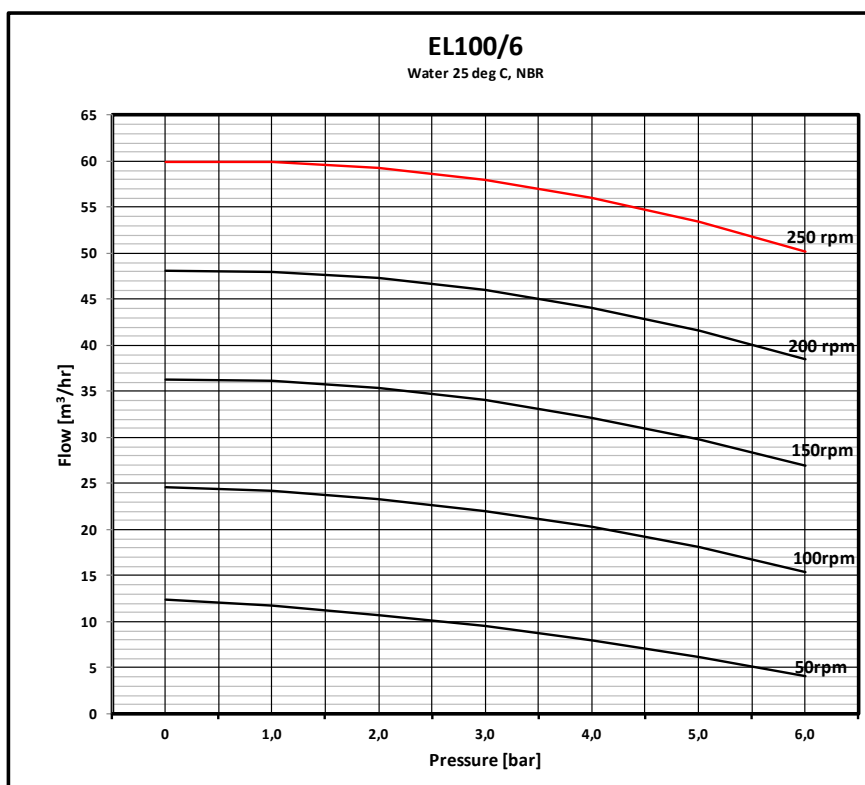




PC Pump EL100/6



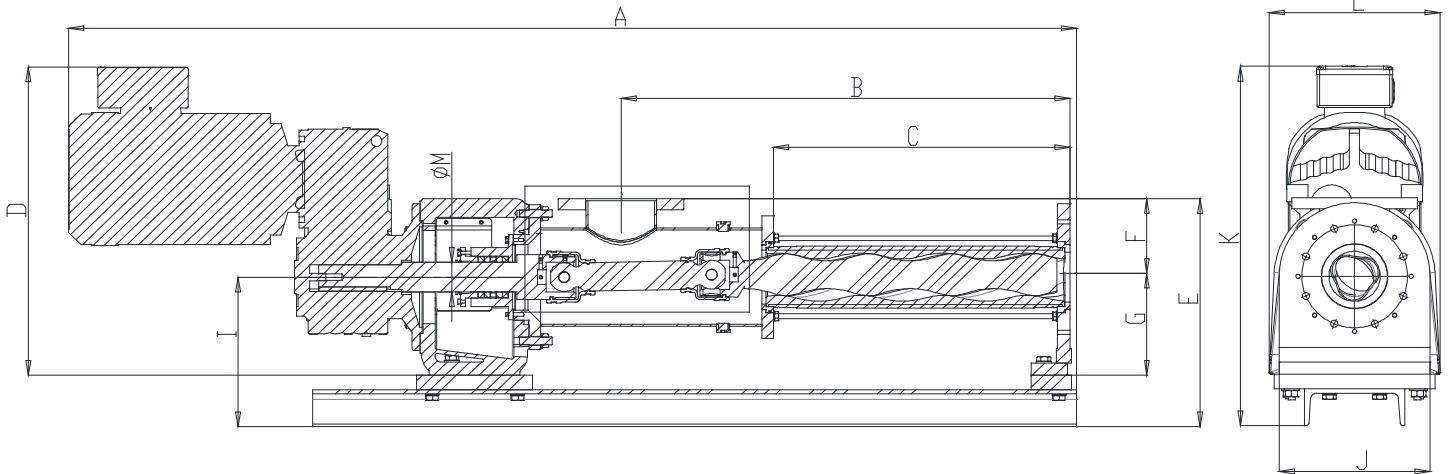
TECHNICAL DATA

- Maximum flow: 71,1 m³/h
- Nominal flow: 53,8 m³/h
- Maximum pressure: 6 bar
- Temperature up to 70 °C
- Weight: 540 kg
- Max motor power: 15 kW
- Flange connection size: DN150
- Flange drilling: DIN PN10 or ANSI150
- Can be installed without base plate
- No dry running
- NPSH tba

MAIN DIMENSIONS

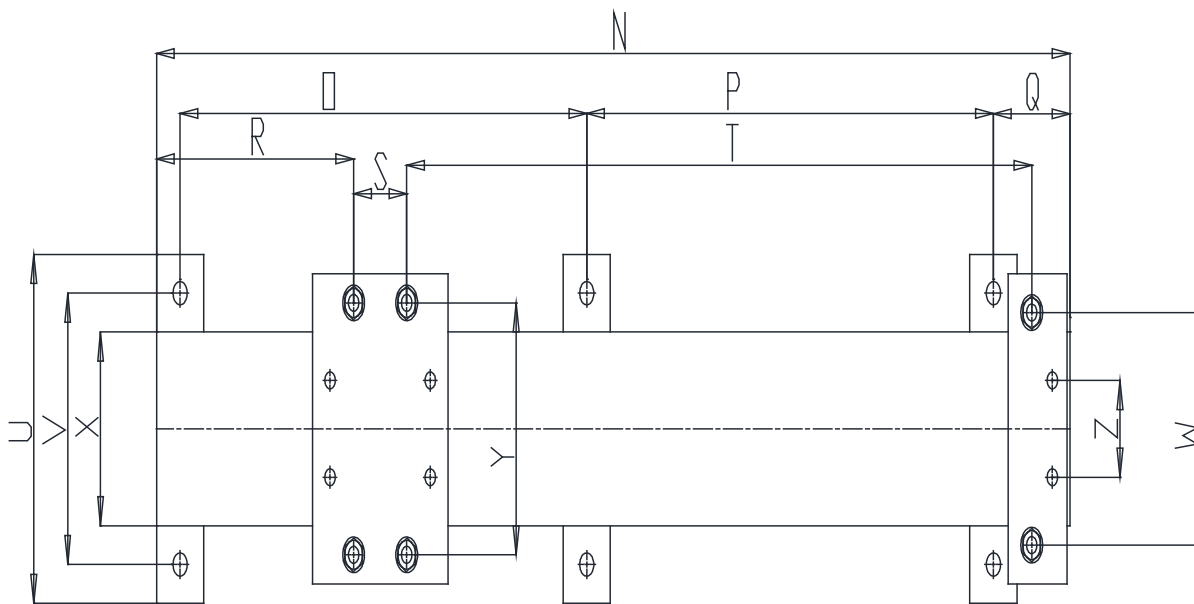
Model	A	B	C	D	E	F	G	I	J	K	L	M	Weight (kg)
EL100/10	2108	972	679,5	755	525	170	205	355	300	830	405	65	543

Dimensions are in mm.



OPTIONAL BASE PLATE:

Model	N	O	P	Q	R	S	T	U	V	W	X	W	X
EL100/10	1160	745	745	130	334,5	90	810	360	280	240	200	260	100



PRODUCT SPECIFICATION

Body	Suction Pipe	Rotor	Rotor coatings	Stator	Drive	Seal types
Cast iron	<ul style="list-style-type: none"> Carbon steel Carbon steel with maintenance hatch Stainless steel with maintenance hatch 	<ul style="list-style-type: none"> Carbon steel Stainless steel 	<ul style="list-style-type: none"> Black nitrated Hard chromium Tungsten carbide 	<ul style="list-style-type: none"> NBR EPDM Viton 	Gear motor drive	<ul style="list-style-type: none"> Single Mechanical Shaft Seal Double Mechanical Shaft Seal Gland Packing

Information without engagement. All rights to changes without prior notice reserved.



Flowrox Oy
P.O. Box 338, FI-53101 Lappeenranta
Finland
Tel. +358 201 113 311

www.flowrox.com
info@flowrox.com

