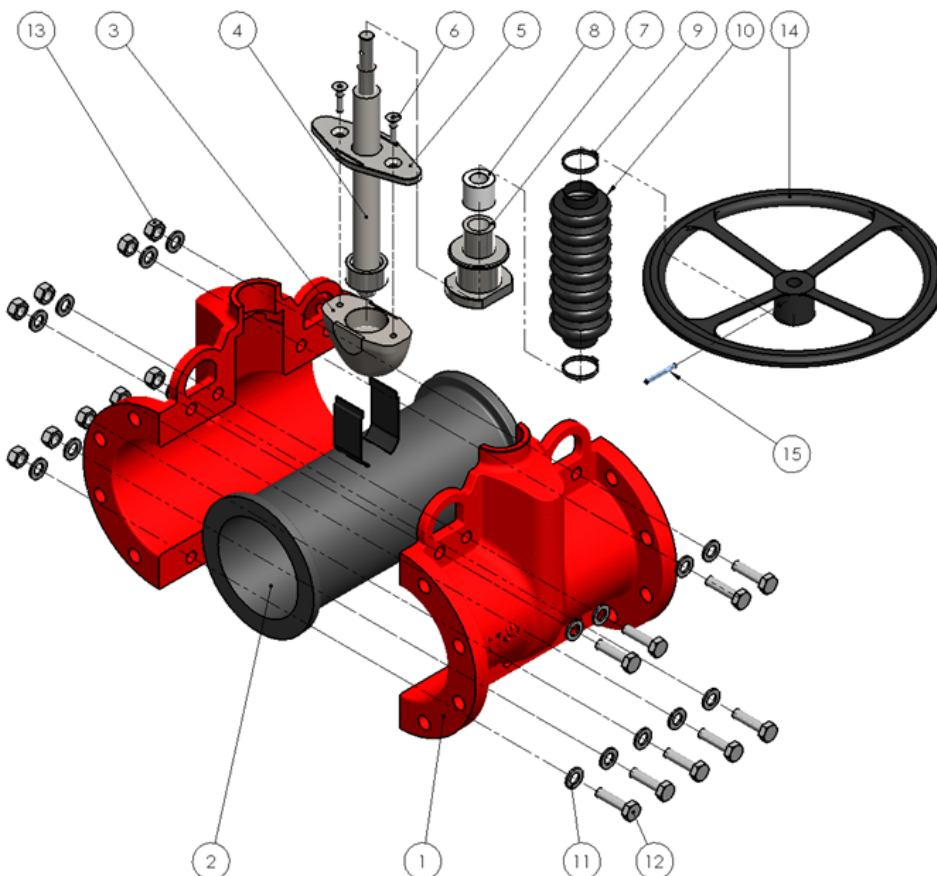




PVG General Line Pinch Valves

EXPLODED VIEW OF PVG VALVE WITH MANUAL ACTUATOR

Part	Description	Part	Description
1	Valve body	9	Cable tie
2	Sleeve	10	Bellows
3	Pusher	11	Washer
4	Stem	12	Hex screw
5	Pusher plate	13	Nut
6	Hex socket screw	14	Hand wheel
7	Thread bushing	15	Slotted spring pin
8	Bellows bushing		



TECHNICAL DATA

Actuators

- Manual
- Pneumatic
- Electric

Sizes: DN50 - DN250

Pressure class up to 10 bar

Only the sleeve is in contact with the medium



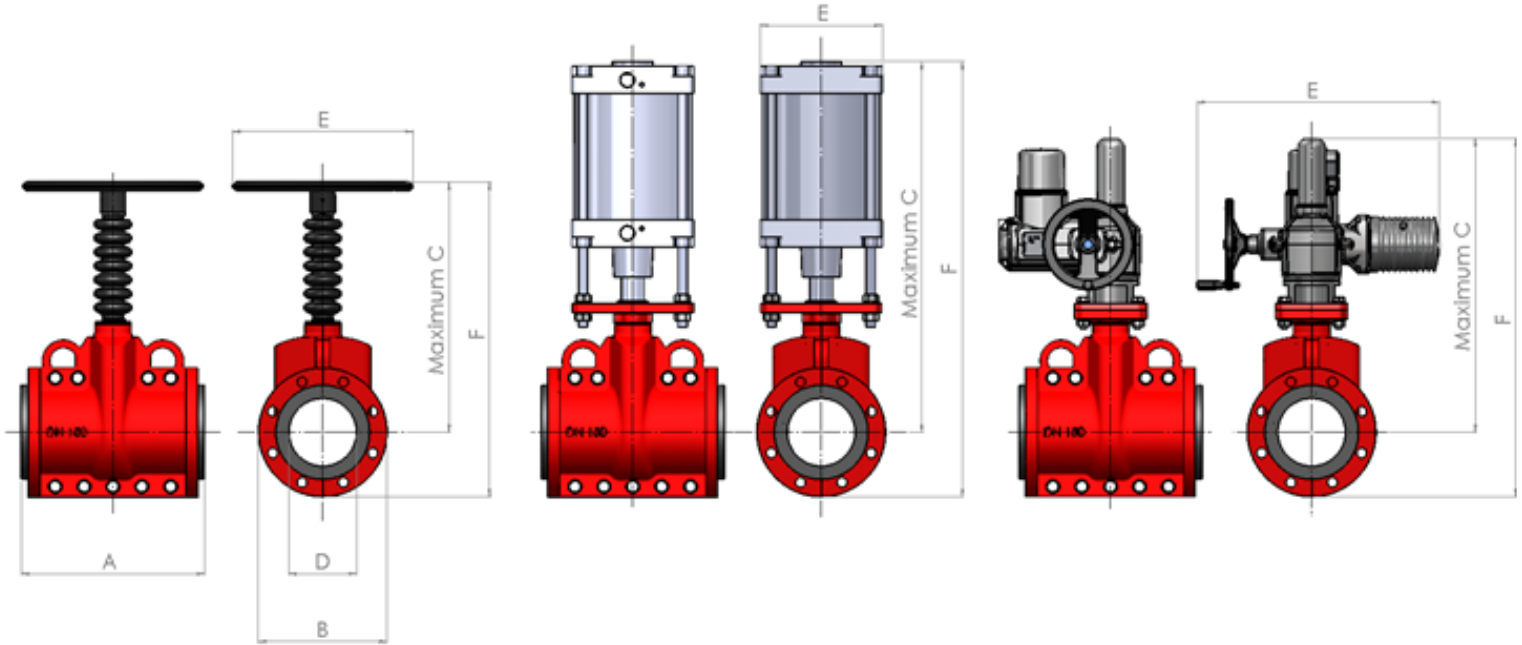


MAIN DIMENSIONS OF PVG VALVES

MANUAL (M)

PNEUMATIC (A)

ELECTRIC (E)



Valve size (DN)	A	B	C			D	E			F			Weight (kg)			Max pressure (bar)		
			M	A	E		M	A	E	M	A	E	M	A	E	M	A	E
50	190	165	280	398	474	50	150	110	515	363	481	556	14	18	45	10	6	10
80	254	200	344	482	505	80	200	135	515	444	582	605	21	30	53	10	6	10
100	305	228	394	568	526	100	250	176	515	508	682	640	30	43	60	10	6	10
150	406	285	553	774	650	150	400	270	536	696	917	792	49	60	98	10	6	10
200	521	343	645	871	697	200	600	270	536	817	1043	868	96	141	144	6	4	6
250	635	406	785	1412	749	250	600	270	536	988	1615	952	140	215	188	6	4	6



Flowrox Oy
 P.O. Box 338, FI-53101 Lappeenranta
 Finland
 Tel. +358 201 113 311

www.flowrox.com
 info@flowrox.com

